



# SPLIT AIR Conditioners

## ALFA series

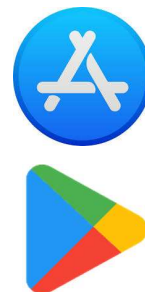
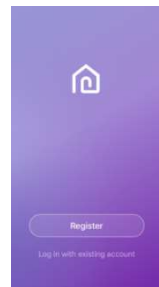
### Features

- SPLIT – indoor and outdoor units
- WIFI module internal
- Refrigerent R32
- High efficiency A++ (cooling), A+ (heating)
- Inverter control
- Remote control
- Safe anti-fire construction
- Self-cleaning
- 6-fan speed
- Parents control
- ECO mode
- Easy washable filter
- 3D AIR FLOW



### Photo

Mobile App (free for android and ios):





# SPLIT AIR Conditioners

## ALFA series

### Specification

Model		ALFA 12K WIFI	ALFA 18K WIFI	ALFA 24K WIFI
Type		heating pump	heating pump	heating pump
Control type		remote controller	remote controller	remote controller
Declared cooling capacity	W	3500(1000~3870)	5130(1250-5920)	6810(1830~7810)
Declared heating capacity	W	3520(1000~3950)	5230(1350-6280)	6870(1850~7930)
Pdesignc	W	3500	5100	6800
Pdesignh	W	2400	4500	5500
SEER declared	W/W	6,5	6,3	6,5
Energy Class		A++	A++	A++
SCOP Average declared	W/W	4,0	4,0	4,1
Energy Class		A+	A+	A+
Annual energy consumption	Cooling	kwh/a	188	283
	Heating	kwh/a	840	1575
Moisture removal	Liters/h	1,1	1,5	1,8
Indoor sound power (H/M/L/Mute)	dB(A)	50/43/35/29	53/48/43/37	54/51/48/40
Outdoor sound power	dB(A)	60	65	67
Indoor sound pressure (H/M/L/Mute)	dB(A)	40/33/25/19	43/40/35/27	44/41/38/30
Outdoor sound pressure	dB(A)	50	55	57
<b>ELECTRICAL DATA</b>				
Power supply		220-240V~/50Hz/1P	220-240V~/50Hz/1P	220-240V~/50Hz/1P
Voltage Range		V	165~265	165~265
Operating current	Cooling	A	4.8(1.5~7.0)	7.2(1.7~10.8)
	Heating	A	4.7(1.5~7.2)	7.3(1.7~12.0)
Power consumption	Cooling	W	1040(290~1400)	1530(330-2250)
	Heating	W	1020(290~1430)	1550(340-2350)
<b>REFRIGERATING SYSTEM</b>				
Refrigerant type/Charge/GWP/CO2 equivalent		R32/0.55kg/675/0.372 tonnes	R32/0.92kg/675/0.621 tonnes	R32/1.06kg/675/0.716 tonnes
Compressor	Type	Rotary		



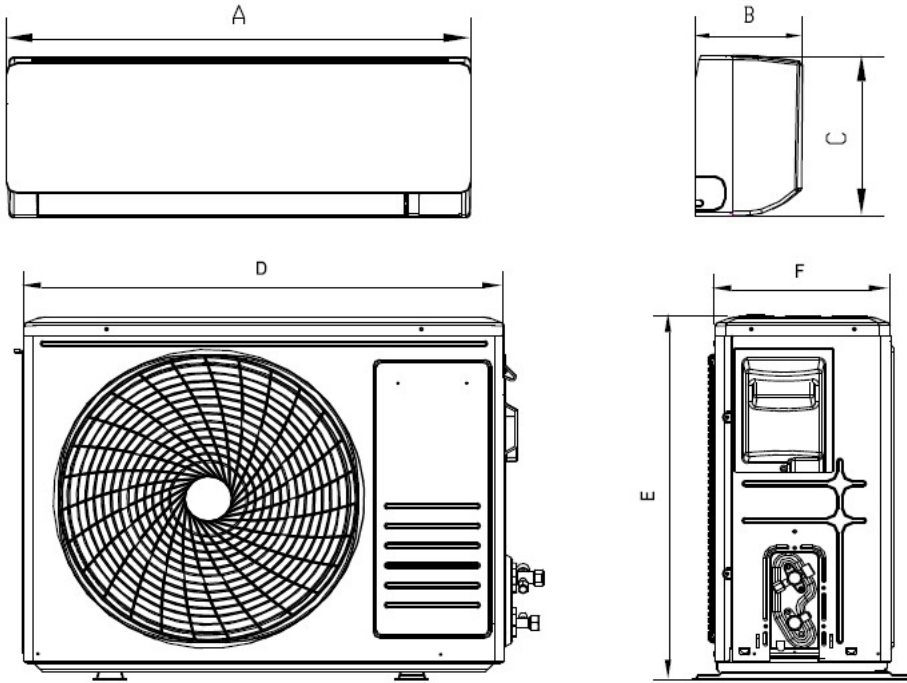
# SPLIT AIR Conditioners

## ALFA series

Indoor air circulation Cooling/heating		m <sup>3</sup> /h	550/550	800/800	970/980
Indoor fan type			Cross Flow		
Outdoor fan type			Propeller fan		
Connecting Wiring	Core x Size		4×1.5mm <sup>2</sup>	4×1.5mm <sup>2</sup>	4×0.75mm <sup>2</sup> *
Expansion device			Capillary	Electronic expansion valve	Electronic expansion valve
Connecting Pipe	Gas	Inches	3/8"	3/8"	1/2"
	Liquid	Inches	1/4"	1/4"	1/4"
<b>OTHERS</b>					
Max. refrigerant pipe length		m	25	25	25
Max. difference in level		m	10	10	10
Operation temperature range		°C	16-31	16-31	16-31
Ambient temperature range	Outdoor	°C	Cooling:0-53 Heating:-20-30	Cooling:-15-50 Heating:-20-30	Cooling:-15-50 Heating:-20-30
	Indoor	°C	Cooling:17-32 Heating:0-30	Cooling:17-32 Heating:0-30	Cooling:17-32 Heating:0-30
Net dimensions	Indoor	mm	777×250×205	910×292×205	1010×315×220
(W x H x D)	Outdoor	mm	777×290×498	780×602×347	845×693×336
Net weight	Indoor	kg	8,5	10	13
	Outdoor	kg	22	36	46
Packing dimensions	Indoor	mm	850×320×275	977×367×276	1094×386×300
(W x H x D) w/o pipe	Outdoor	mm	818×325×520	890×628×385	960×732×400
w/i pipe	Outdoor	mm	818×325×520	890×628×385	960×732×430
Gross weight	Indoor	kg	10,5	13	16
	Outdoor	kg	25(w/o pipe) 26(w/i pipe)	40(w/o pipe) 41(w/i pipe)	52(w/o pipe) 55(w/i pipe)
Loading Capacity w/o pipe	20'/40'GQ/40'HQ		128/259/310	82/180/212	66/140/150
Loading Capacity w/i pipe	20'/40'GQ/40'HQ		128/259/310	82/180/212	62/130/144

\* Alfa 24K is powered from outdoor unit, Alfa 12/18k are powered from indoor unit.

### Technical drawing



### Efficiency label

ALFA 12K WIFI	ALFA 18K WIFI	ALFA 24K WIFI
<p><b>ENERG</b> Y IJA енергия · ενεργεια IE IA</p> <p><b>ALFA 12K</b></p> <p>SEER: A<sup>+++</sup>, A<sup>++</sup>, A<sup>+</sup>, A, B, C, D. Actual: A<sup>++</sup></p> <p>SCOP: A<sup>+++</sup>, A<sup>++</sup>, A<sup>+</sup>, A, B, C, D. Actual: A<sup>+</sup></p> <p>kw 3,5 SEER 6,5 kWh/annum 188</p> <p>kw 2,6 SCOP 4,6 kWh/annum 791</p> <p>2,4 X 4,0 X 840 X</p> <p>50dB</p> <p>60dB</p> <p>ENERGIA · ЕНЕРГИЯ · ΕΝΕΡΓΕΙΑ · ENERGIA · ENERGY · ENERGIE · ENERGI 626/2011</p>	<p><b>ENERG</b> Y IJA енергия · ενεργεια IE IA</p> <p><b>ALFA 18K</b></p> <p>SEER: A<sup>+++</sup>, A<sup>++</sup>, A<sup>+</sup>, A, B, C, D. Actual: A<sup>++</sup></p> <p>SCOP: A<sup>+++</sup>, A<sup>++</sup>, A<sup>+</sup>, A, B, C, D. Actual: A<sup>+</sup></p> <p>kw 5,1 SEER 6,3 kWh/annum 283</p> <p>kw 4,7 SCOP 4,7 kWh/annum 1400</p> <p>4,5 X 4,0 X 1575 X</p> <p>53dB</p> <p>65dB</p> <p>ENERGIA · ЕНЕРГИЯ · ΕΝΕΡΓΕΙΑ · ENERGIA · ENERGY · ENERGIE · ENERGI 626/2011</p>	<p><b>ENERG</b> Y IJA енергия · ενεργεια IE IA</p> <p><b>ALFA 24K</b></p> <p>SEER: A<sup>+++</sup>, A<sup>++</sup>, A<sup>+</sup>, A, B, C, D. Actual: A<sup>++</sup></p> <p>SCOP: A<sup>+++</sup>, A<sup>++</sup>, A<sup>+</sup>, A, B, C, D. Actual: A<sup>+</sup></p> <p>kw 6,8 SEER 6,5 kWh/annum 366</p> <p>kw 5,6 SCOP 4,6 kWh/annum 1704</p> <p>5,5 X 4,1 X 1878 X</p> <p>54dB</p> <p>67dB</p> <p>ENERGIA · ΕНΕΡΓΙΑ · ΕΝΕΡΓΕΙΑ · ENERGIA · ENERGY · ENERGIE · ENERGI 626/2011</p>